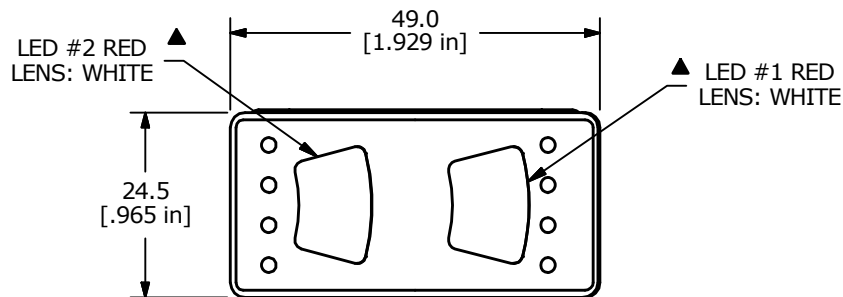
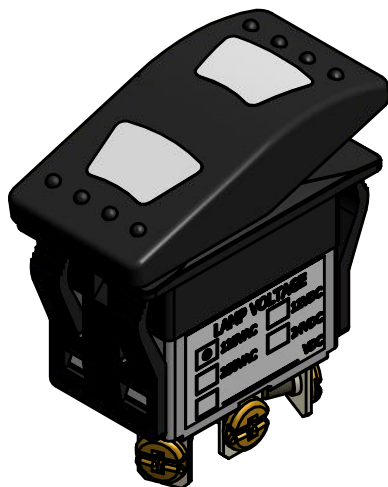
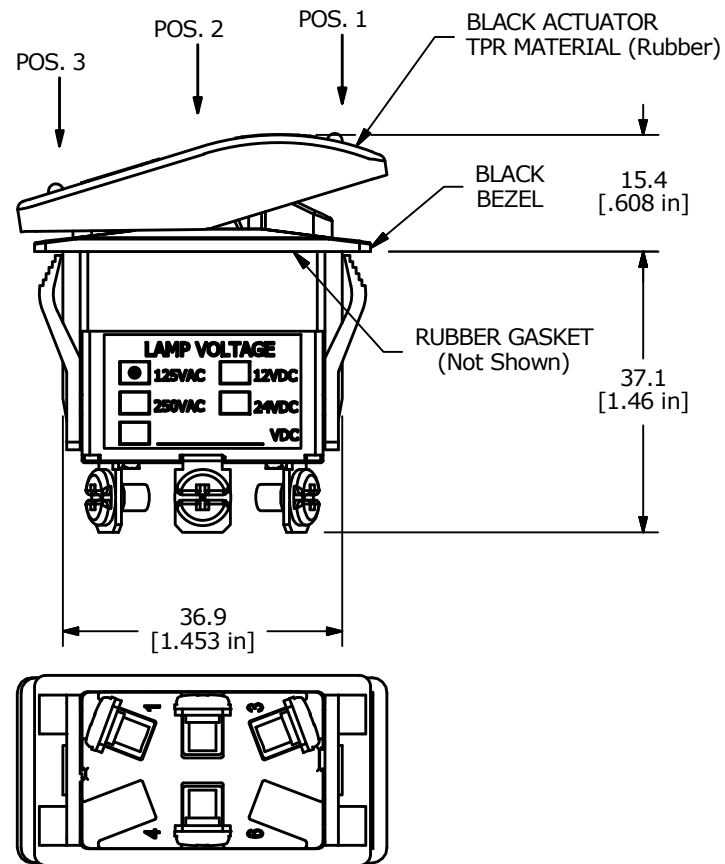
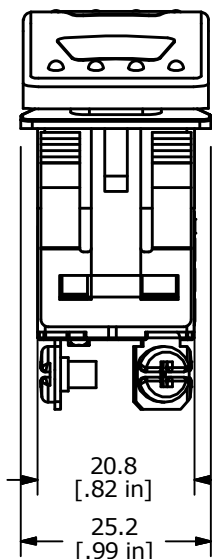
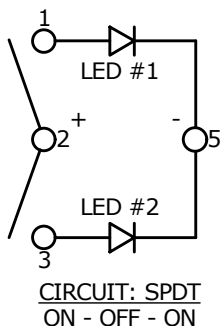


RECOMMENDED PANEL CUT-OUT

PANEL THICKNESS	X
1.0 - 1.5	37.3 <sup>+0.0</sup> <sub>-0.1</sub>
2.5 - 3.0	37.5 <sup>+0.0</sup> <sub>-0.1</sub>
3.5 - 4.5	37.7 <sup>+0.0</sup> <sub>-0.1</sub>



SWITCH FUNCTION		
POS. 1	POS. 2	POS. 3
ON	OFF	ON
1-2	OFF	2-3



NOTES:

1. ALL DIMENSIONS IN MM [INCH]
2. GENERAL TOLERANCE: X.X=±0.4  
X.XX=±0.25
3. TERM. NOS. FOR REF. ONLY
4. RATING: 20(8)A @125/250VAC 50/60Hz, T85/T55
5. ELECTRICAL LIFE: 10,000 CYCLES
6. MECHANICAL LIFE: 30,000 CYCLES
7. CONTACT RESISTANCE: <20 MILLI-OHMS INITIAL
8. DIELECTRIC STRENGTH: >1,500V AC 1MIN
9. INSULATION RESISTANCE: >100 MOHMS @ 500VDC
10. OPERATING TEMP: 0°C to 55°C
- ▲ 11. LED VOLTAGE: 125VAC
12. ▲ DENOTES CRITICAL PARAMETER.
13. 2011/65/EU (ROHS) COMPLIANT



A	22409	NEW RELEASE	7/26/2016	MJR
REV	PCR NO	DESCRIPTION	DATE	BY

TITLE	R713WE3-SXXX4B2RRW			
SCALE	1:1	DATE	7/26/2016	DR
				MJR
DWG	C700028	REV	A	

THE INFORMATION CONTAINED IN THIS DOCUMENT IS PROPRIETARY TO E-SWITCH AND IS NOT TO BE COPIED OR TRANSFERRED